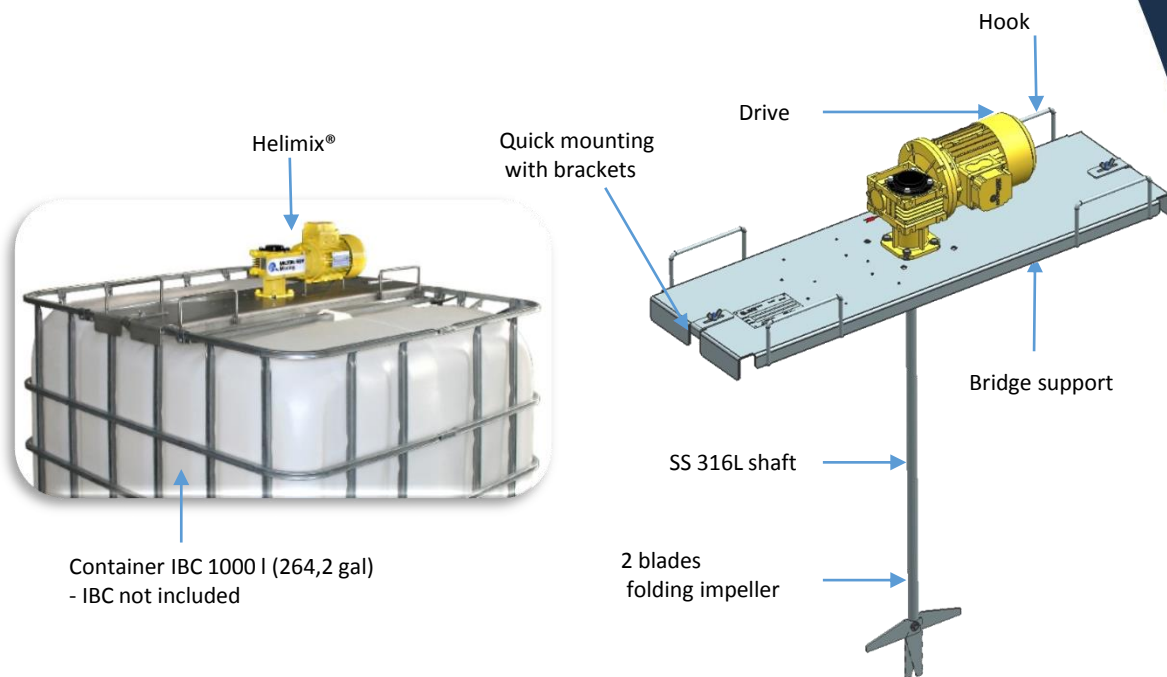


## New range of **folding blade mixers** ideal for Intermediate Bulk Containers.

Helimix<sup>®</sup> folding blade mixer neatly solves the problem of products stored in containers that need to be regularly mixed to stop separation and deposits. Its large folding blades offer the perfect mixing solutions for solid suspensions and liquid blending such as paints, varnishes, lime milk, oils, syrup, inks, eggs, sorbitol, additives, coating, slurries and more.



Container IBC 1000 l (264,2 gal)  
- IBC not included

## Features and Benefits

- ✧ **Simple and efficient design:**
  - ✧ Large **folding blades** provide optimal agitation; operating volume from 100 l (26.4 gal) to 1000 l (264.2 gal)
  - ✧ Low weight (20 kg/44 lb max.)
  - ✧ **Ease of installation**
    - ✧ Quick side installation with hooks
    - ✧ Easy mouting through 140 mm (31.5 in) IBC opening
- ✧ **Several options available to suit application:**
  - ✧ **Three possible handling devices** (fork lifte, crane and by hand)
  - ✧ **4 types of designs:** low or high speed, folding or marine impeller, electrical or air drive

Find out more by contacting  
[helimix.contact@miltonroymixing.com](mailto:helimix.contact@miltonroymixing.com)

## Design Specifications

- ✧ SS bridge support
- ✧ SS 316 shaft, 800 mm (31.5 in) length
- ✧ Motor IP 55, 200V/400V, triphase for standard version

## Technical Specifications

TYPE	ER1 Low speed	PR1 Low speed	ED1 High speed	ED2 High speed
IBC Capacity (l/gal)	1000/264.2	1000/264.2	1000/264.2	1000/264.2
Speed (rpm)	300	300	1000	1000
Rated power kW	Electric motor 0.37	Air drive 0.37	Electric motor 0.37	Electric motor 0.37
Impeller	2 folding blades	2 folding blades	1 Marine prop.	2 Marine prop.
Max. viscosity (mPas)	1000 Low shear	1000 Low shear	200 High shear	1000 High shear
Agitation during draining	Yes	Yes	No	No
Variable speed	Option	Yes	No	No
DOL	Option	NA	Option	Option
Weight (kg/lbs)	20/44	15/33	16/35	16/35

## Options

- ✧ ATEX design
- ✧ DOL
- ✧ Variable speed
- ✧ Monophase motor

## Contact us

Find your local representative on  
[www.miltonroymixing.com](http://www.miltonroymixing.com)  
[helimix.contact@miltonroymixing.com](mailto:helimix.contact@miltonroymixing.com)



**MILTON ROY**  
**Mixing**  
 An Accudyne Industries Brand